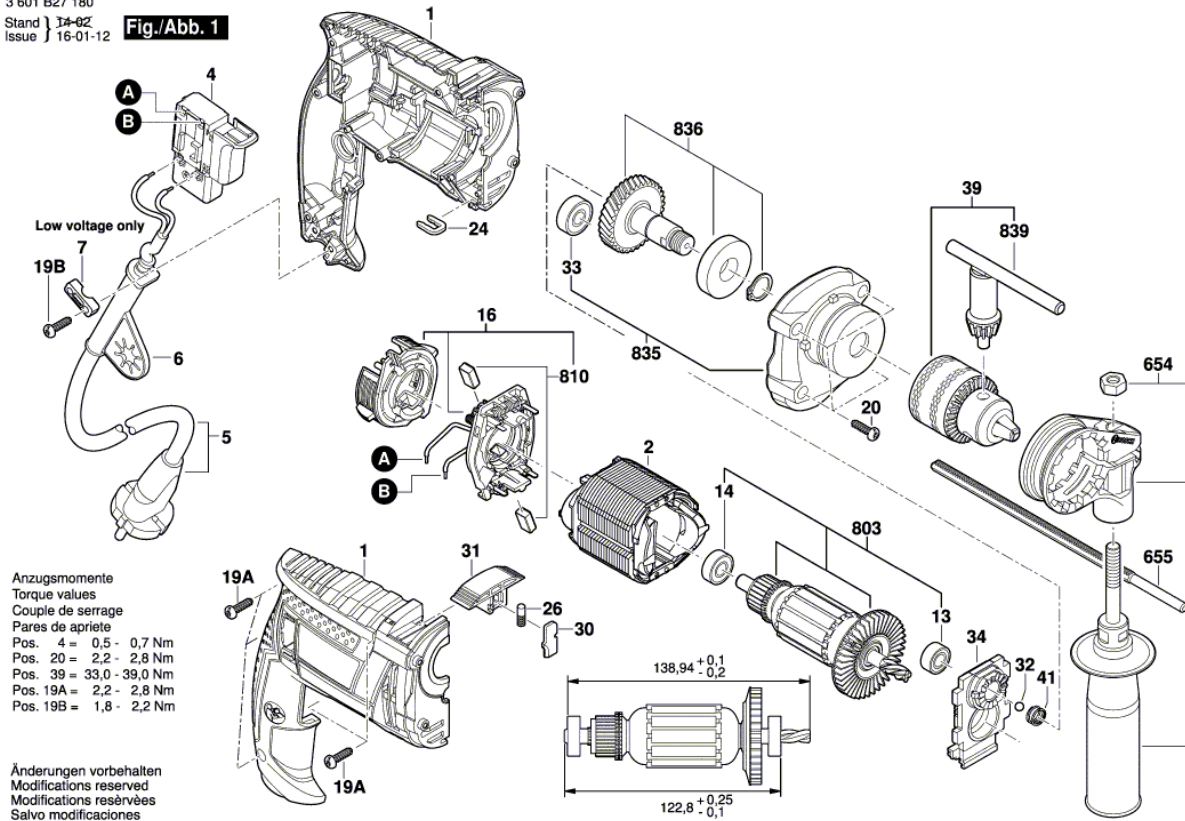


Illustration - Type - E

3 601 B27 180  
 Stand } 14-82  
 Issue } 16-01-12

Fig./Abb. 1



## Spare parts list

Item	Part Number	Description	Illustration	Price	Quantity	Price Group
1	2 609 100 785	Housing	1	-	1	
2	2 609 120 588	Stator 230V	1	-	1	
4	2 607 200 623	Switch	1	-	1	
5	1 604 460 262	Power supply cord CN 220V 2,65m 2 x 0,75mm H05 VV-F	1	-	1	
6	2 600 707 059	Grommet Ø6,9 MM	1	-	1	
7	2 601 035 001	Cable Clip	1	-	1	
13	2 609 110 153	Ball Bearing 8x22x7	1	-	1	
14	2 609 110 491	Ball Bearing	1	-	1	
16	2 609 199 414	Brush Plate	1	-	1	
19	2 603 490 022	Screw 4x16	1	-	4	
24	2 609 110 537	Clip	1	-	1	
26	2 600 590 006	Ratchet Cap	1	-	1	
30	2 609 110 922	Pressure Plate	1	-	1	
31	2 609 100 728	Shift Lever	1	-	1	
32	1 903 230 010	Ball DIN 5401-5,5MM-III-ST	1	-	1	
33	2 600 905 068	groove ball bearing 15x32x9	1	-	1	
34	2 609 199 228	Bearing Bracket	1	-	1	
39	2 609 000 990	Key Chuck	1	-	1	
41	2 604 616 006	Compression Spring	1	-	1	
654	2 609 199 582	Auxiliary Handle	1	-	1	
655	2 603 001 009	Depth-Gauge	1	-	1	
803	2 609 199 667	Armature set 230V	1	-	1	
810	2 610 391 290	Carbon-Brush Set	1	-	1	
835	2 609 199 665	Gear Housing	1	-	1	
836	2 609 199 666	Spindle Assembly	1	-	1	
839	2 607 950 007	Chuck Wrench SG2	1	-	1	

\* Prices shown are net prices including VAT